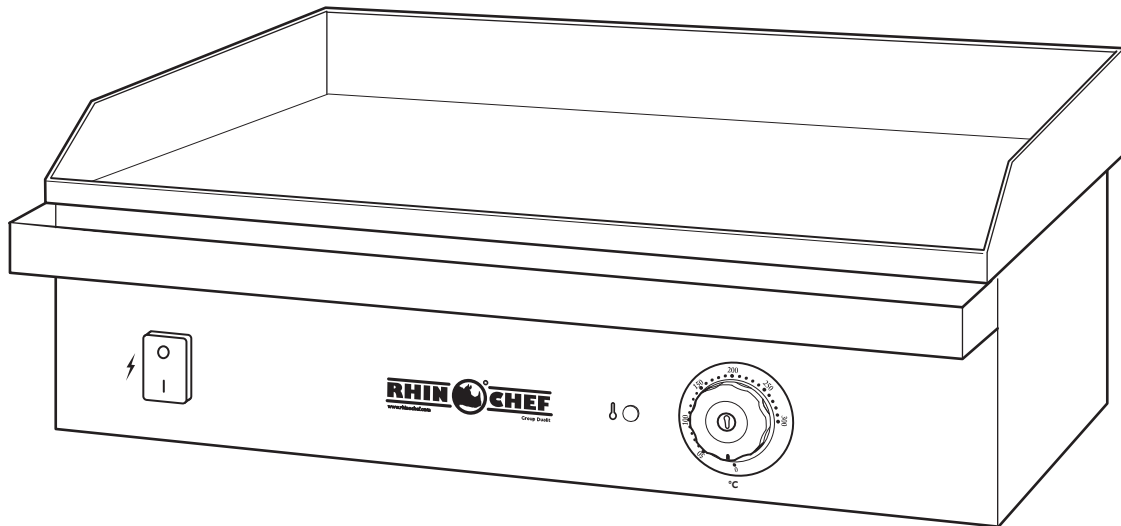


Installation and Operating Manual

Stainless Steel Griddle



REG1

Contact Information

Rhinochef, County Oak Way, Crawley, West Sussex, RH11 7ST

Customer Helpline: +44 (0) 1293 652 500 (9am - 5pm Monday to Friday) • Fax: +44 (0) 1293 652 555

Email: info@rhinochef.com • www.rhinochef.com



SAFETY INFORMATION



WARNING: The installation, maintenance and servicing of this product must be carried out by a qualified technician.

You should consult local and national standards to comply with the following:


Health & safety at work legislation
BS EN Codes of practice
Fire precautions
IEE Wiring regulations
Building regulations

WARNING: Incorrect installation, unauthorised modifications, refitting, adjustments, dismantling or maintenance could result in damage to the product, damage to property or serious injury. All repairs, maintenance and adjustments must be carried out by a qualified technician.

WARNING: RISK OF SEVERE BURNS. Take caution when using this product.

WARNING: ELECTRIC SHOCK RISK. DO NOT use when the power cord is damaged.

WARNING: For safety reasons, this product MUST be earthed.

The terminal marked  is for equipotential bonding.

WARNING: This is a commercial product and must only be used by a trained operative who has read and fully understands this manual. It must not be used by children or persons with reduced physical, sensory or mental capabilities.

Before using the product, ensure that the electricity supply conforms to the rating markings on the product.

Before using the product, check that the power supply and earth connection are secure.

Check power cord for damage before every use. If damaged it can only be replaced by the manufacturer or a qualified technician.

IMPORTANT: The product should be given a visual safety check over every day to help prevent accidents.

IMPORTANT: The product should not be used if operator feels there is anything wrong with it. The problem should be referred to the manufacturer or a qualified technician.

Incorrect use of the product, other than its intended use, can cause damage to it and be dangerous.

The product surfaces and control panel may be damaged by hard or sharp objects.

DO NOT store any type of flammable liquid, gas or other similar items near or around this product.

CAUTION: Be aware that surfaces of the product may be hot before and after it has been used - RISK OF SEVERE BURNS.

DO NOT use the product during a thunderstorm. To avoid it being damaged by a lightning strike, unplug it from electricity supply prior to the storm.

Allow the product to cool before cleaning.

Before cleaning, unplug the product from the mains power supply.

DO NOT spray or splash water directly onto the product - RISK

OF ELECTRIC SHOCK.

DO NOT submerge product, electric plug or power cord in water or other liquids. If the product has been soaked, it must be dried and checked by a trained technician before further use.

DO NOT use wet cloths, steel wool pads or abrasive creams to clean the griddle plate, surface of the product or power cord. Use the wire brush provided with the product and a clean, damp cloth.

When not in use, turn the temperature control to the '0' position and unplug the product from the mains power supply.

Store product in a safe, clean, dry, well ventilated place if it is not going to be used for any length of time.

EXTREME CAUTION: Failure to follow instructions could result in damage to product, damage to property or serious injury

To avoid risk of suffocation to children or animals, dispose of the plastic bags and packaging correctly.

For use with an earthed wall socket.

For indoor use only. Must NOT be used outdoors.

Not suitable for use with an extension cable.

Keep product and power cord out of reach of children and keep pets clear during use.

DO NOT position or use product underneath or near flammable items such as curtains, shelves, cupboards etc - FIRE HAZARD

DO NOT cover the product with anything - FIRE HAZARD

DO NOT try to dislodge food from the product when it is plugged in - RISK OF ELECTRIC SHOCK.

DO NOT allow the power cord to hang over the edge of a table or work surface on which the product stands.

DO NOT allow the power cord to come into contact with a heat source.

DO NOT use on or near direct heat sources.

DO NOT operate product with wet hands.

DO NOT operate product if damaged, or the power cord, plug or product is damaged in any way. It must be replaced by the manufacturer, service agent or similarly qualified persons in to avoid a hazard.

DO NOT leave product unattended when in use.

DO NOT attempt to service the product yourself. Contact a qualified technician.

DO NOT use attachments other than those recommended by the manufacturer.

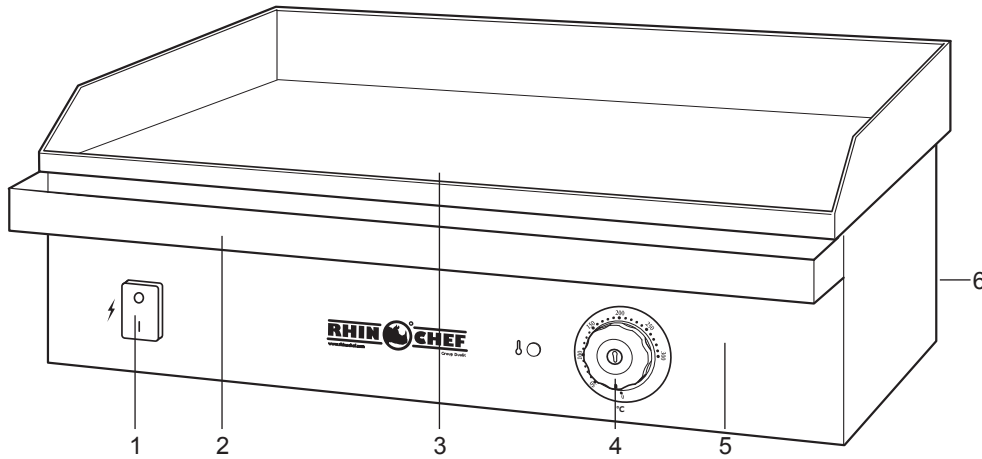
CAUTION: Do not pull or drag the product by the power cord.

The product must be placed and operated on a safe, flat and stable surface.

Children should be supervised to ensure that they do not play with the appliance.

THE STAINLESS STEEL GRIDDLE

Thank you for purchasing this Rhinochef Stainless Steel Griddle. The Rhinochef griddle is so versatile; it can cook virtually anything from eggs and bacon to most fish, steaks and even onions and tomatoes. The cooking plate is specifically designed to ensure even heat across the entire hot plate.




Stainless Steel Griddle Parts:

1. Power
2. Drip tray
3. Griddle plate
4. Temperature control
5. Heating light (yellow)
6. Earth bolt

INSTALLATION

This grill is a plug-in product but commercial safety regulations require additional earthing to be carried out.

Only a suitably qualified technician should install the product.

There is an earth bolt at the back of the grill . Complying fully with safety regulations, connect the earth wire with suitable cable

A suitable switch, fuse breaker and plug socket should be installed near the grill.

You may see smoke coming from the griddle when the machine is first switched on, this is normal.

USING THE STAINLESS STEEL GRIDDLE

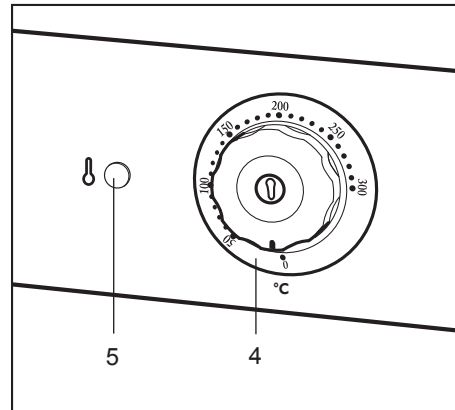


WARNING: RISK OF SEVERE BURNS. When used, parts of the griddle will be hot to the touch.

WARNING: Use heat protective gloves when moving food on to or out of the griddle.

1. Before using the product, ensure that the electricity supply conforms to the rating markings on the griddle and check there is no damage to the power cord.
2. Ensure the griddle is plugged into the socket and that power is switched on. The green power indicator (1) lights up.
3. Turn the temperature dial (4) clockwise to the required setting. The thermostat indicator (5) will be on showing that the selected griddle plate is heating up. The green power indicator (1) will be on.

4. When the required cooking temperature is reached the thermostat indicator turns off. The light will cycle on and off as the thermostat maintains the selected temperature.



Care, Maintenance, Storage and Transportation

IMPORTANT: The product must be regularly inspected and maintained by a qualified technician.

IMPORTANT: Always unplug griddle from the mains power socket and allow to cool completely before cleaning.

DO NOT use a water jet, spray or splash water directly onto the product.

DO NOT submerge griddle, electric plug or power cord in water or other liquids.

DO NOT steel wool pads, abrasive creams or caustic cleaners to clean the griddle plate, outer body of the griddle or power cord.

Clean the griddle plate and other surfaces of the product with a clean, damp cloth.

Once cooled, remove the drip tray at the front of the griddle by sliding it out. Wash in hot water and detergent. **DO NOT** slide tray back into griddle until it is thoroughly dry.

When not in use, turn the temperature control to the '0' position, turn power off and unplug the griddle from the mains power supply.

If the griddle is not to be used for a lengthy period, clean it thoroughly and apply a thin layer of oil to the griddle plate. Store griddle in a safe, clean, dry, well ventilated place.

TROUBLE SHOOTING

If a problem occurs that does not appear on this table, stop using the griddle and seek help from the manufacturer, a qualified technician or an authorised dealer.

Problem	Cause(s)	Solution(s)
Power on but power indicator not on.	<ol style="list-style-type: none"> 1. Fuse in plug has blown. 2. The power cord connection is damaged. 	<ol style="list-style-type: none"> 1. Change fuse. 2. Do not use appliance. Get power cord repaired by qualified technician.
The griddle plate temperature is not responding to the temperature control and the thermostat indicator is on.	<ol style="list-style-type: none"> 1. The indicator connection is faulty. 2. The temperature control is faulty. 	<ol style="list-style-type: none"> 1. Contact a qualified technician for repair advice. 2. Contact a qualified technician for repair advice
Thermostat (yellow) indicator is not on but the appliance is heating normally.	<ol style="list-style-type: none"> 1. The indicator connection is faulty. 2. Indicator is broken. 	<ol style="list-style-type: none"> 1. Contact a qualified technician for repair advice. 2. Contact a qualified technician for repair advice.

Technical Specifications

Model number	REG1
Description	Flat top griddle with temperature control
Voltage	220-230V~
Power	2.4KW
Temperature range	50 - 300°C
Dimensions of Cooking plate	520 x 330 mm
Overall dimensions	625w x 470d x 245h mm

GUARANTEE

This appliance is of excellent quality and construction. However, if any defects in materials or workmanship do appear during the relevant guarantee period, we will, at our discretion, either repair or replace the defective parts, free of charge, subject to the terms and conditions of our Guarantee shown below.

This Guarantee covers both parts and labour. Carriage is not included.

Your guarantee period is as follows:

- 1 year

This Guarantee provides benefits which are additional to, and do not affect, your statutory rights. This guarantee does not cover the cost of returning the product to the dealer from whom it was purchased or to ourselves. This guarantee applies only to products sold and located in mainland Great Britain. It does not cover liability in respect of or replacement of plugs, cables or fuses and also does not cover defects due to:

- Failure to use or maintain product in accordance with Dualit's instructions
- The product being connected to an unsuitable electricity supply
- Accidental damage to or abuse or misuse of the product
- The product has not been modified except by Dualit or approved agent
- Dismantling of or interference with the product
- Accidental breakage or damage
- Operational misuse, wear and tear from normal usage, incorrect adjustment and neglect
- Incorrect installation, maintenance, modification or unauthorized service work
- Theft or attempted theft of the product

Before returning any product under this guarantee, please check that:

- You have followed the product instructions correctly
- Your mains electricity supply is functional
- The defect is not due to a blown fuse

If you wish to claim under this guarantee you should:

- Send the product, postage or carriage paid, to the dealer from whom it was purchased or to Dualit direct
- Ensure that the product is clean and packed carefully (preferably in its original carton)
- Enclose details of your name, address and telephone number and when and where the product was purchased, together with proof of purchase (e.g. a till receipt).
- Give exact details of the nature of the defect

This Guarantee does not cover any other claims whatsoever, including, without limitation, any liability for incidental, indirect or consequential damage, nor does it cover any claims for conversion or modification or for the costs of repair carried out by any third party without the prior consent of Dualit. If replacement parts are fitted to the product this will not extend the period of the guarantee.

For further advice contact the Rhinochef Customer Helpline on: +44 (0)1293 652 500 (09:00 to 17:00 Monday to Friday).

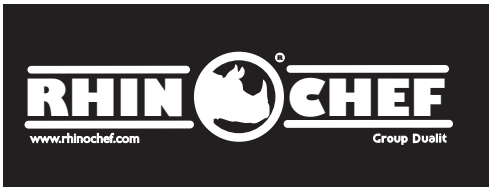
Alternatively, email Dualit at info@rhinochef.com or visit www.rhinochef.com.

Disposal and the Environment



This product is covered by the waste electrical and electronic equipment (WEEE) regulations. It should not be discarded with normal household waste, but taken to a local collection centre for recycling. For further information, please contact the local authority or approved disposal agency.

Dispose of all packaging responsibly.



Rhinochef, County Oak Way, Crawley, West Sussex, RH11 7ST
Telephone: +44 (0) 1293 652 500 Fax: +44 (0) 1293 652 555
Email: info@rhinochef.com www.rhinochef.com

